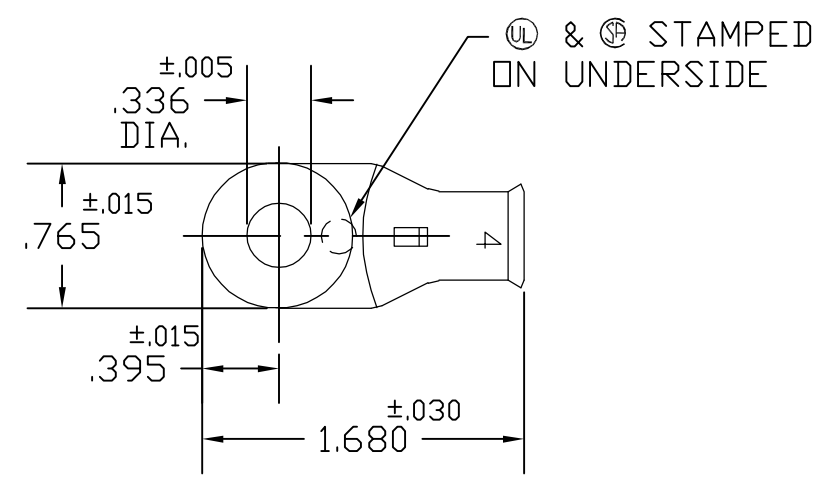
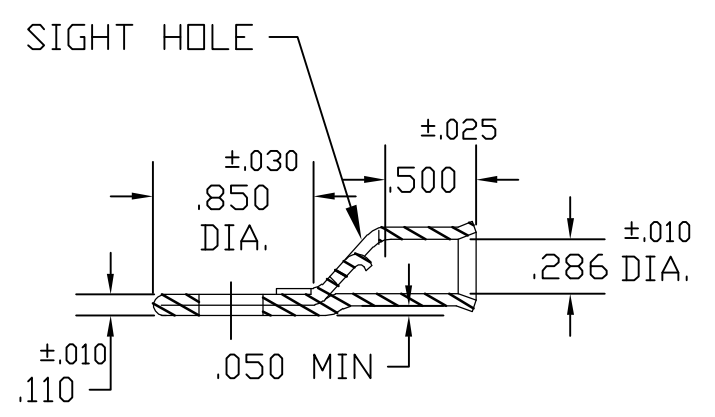


THIS DRAWING IS UNPUBLISHED. RELEASED FOR PUBLICATION
 © COPYRIGHT - BY TYCO ELECTRONICS CORPORATION. ALL RIGHTS RESERVED.

LOC	DIST	REVISIONS					
		P	LTR	DESCRIPTION	DATE	DWN	APVD
G	50		A2	REV PER ECR 06-008456	19APR06	JR	DD



1 PRELIMINARY - NOT FOR PRODUCTION



1	PRELIMINARY	---	STANDARD	TIN PLATE	1526278-2
	ACTIVE	4563-06	STANDARD	PLAIN	1526278-1
	STATUS	AET P/N	PACKAGING	FINISH	PART NUMBER

THIS DRAWING IS A CONTROLLED DOCUMENT.		DWN D.A.A. 10/25/00	Tyco Electronics Corporation Harrisburg, PA 17105-3608		
DIMENSIONS: INCHES		CHK H.D.F. 10/25/00			
		TOLERANCES UNLESS OTHERWISE SPECIFIED:		4 STANDARD TERMINAL W/RECESSED PAD	
		0 PLC ± - 1 PLC ± - 2 PLC ± - 3 PLC ± - 4 PLC ± - ANGLES ± -		-	
MATERIAL: COPPER ASTM B-152		FINISH: -		APVD H.D.F. 10/25/00	
		PRODUCT SPEC: -		APPLICATION SPEC: -	
		WEIGHT: -		SIZE: A3	
		CUSTOMER DRAWING		CAGE CODE: 00779	
				DRAWING NO: 1526278	
				RESTRICTED TO: -	
				SCALE: 1:1	
				SHEET: 1 OF 1	
				REV: A2	